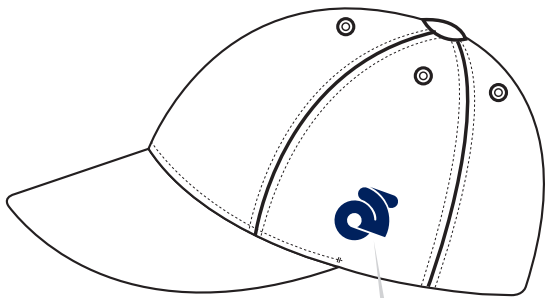


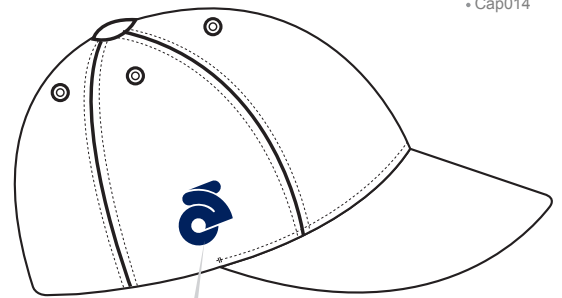
Customer: Team Name_USXXXX

Custom Baseball Cap Template

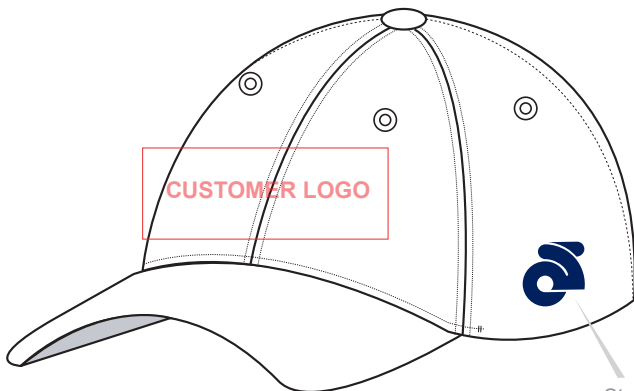
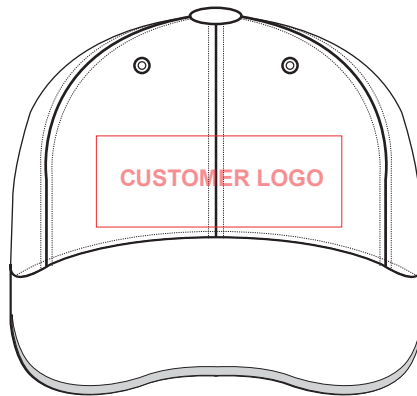
With Elastic Band
• Cap014



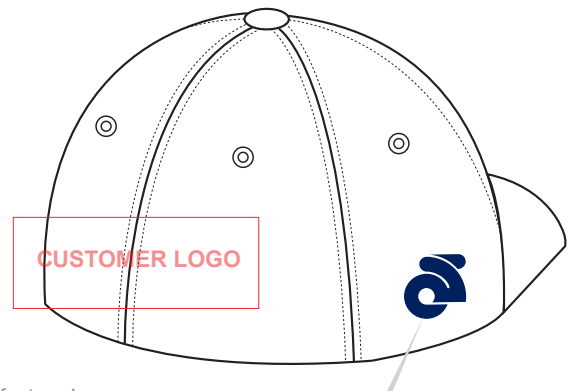
Standard Manufacture Logo



Standard Manufacture Logo



Standard Manufacture Logo



Version V1.1

PRE-DYED LYCRA

 Stitching



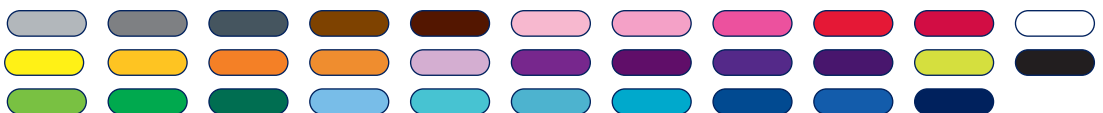
Graphic Editor
Name

Sales Rep
Name

Start Date
2010/00/00

End Date
2010/00/00

Stitching Colour :



Remarks:

- A) 1 Colour for Cap Background;
- B) Standard Manufacture Logo should be place on both side on Cap;
- C) Front / Back panel for customer logo placement;
- D) Specific Colour will be provided when total quantity over 200 pieces.

Special Colour Provide:

PMS _____

PMS _____

PMS _____



Standard Manufacture logo colour :

- * Navy Blue logo should be stitched on White Cap
- * Solid White logo should be stitched on Black Cap
- * CS Orange logo should be stitched on Blue Cap
- * Solid White logo should be stitched on Red Cap